

2MP Smart PT Camera

Uho-S2



Key Features



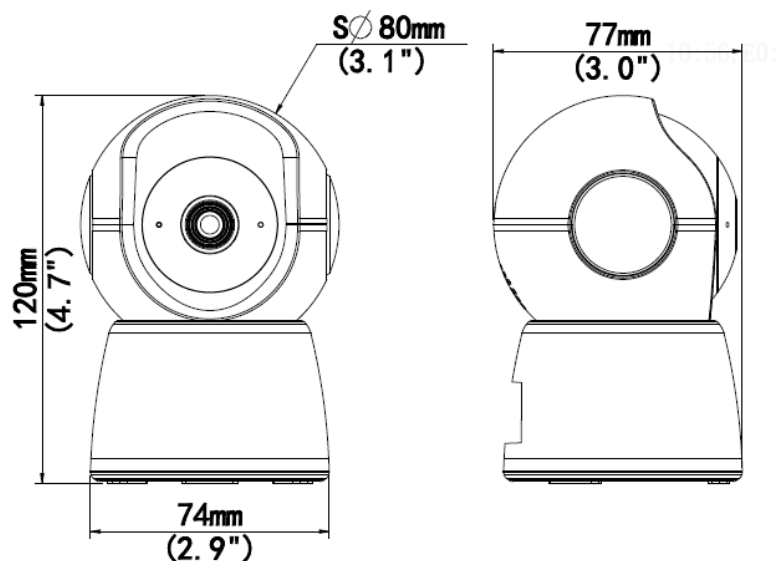
- High quality image with 2MP, 1/3"CMOS sensor
- 2MP (1920*1080)@25/20/15fps; 720P (1280*720) @25/20/15fps
- H.265, H.264
- Built-in Mic
- IR night vision, up to 10m (33ft) IR distance
- Support 256 G Micro SD card

Specifications

	Uho-S2	
Camera		
Sensor	1/3", 2.0 megapixel, progressive scan, CMOS	
Minimum Illumination	Colour: 0.02 lux (F2.0, AGC ON) 0 lux with IR on	
Day/Night	IR-cut filter with auto switch (ICR)	
Shutter	Auto/Manual, 1/4 ~ 1/100000s	
Adjustment angle	Pan: 0° ~ 340°	Tilt: -5° ~ 55°
WDR	DWDR	
S/N	>52dB	
Lens		
Lens Type	4.0mm @F2.0	
Iris	Fixed	
Angle of View (H)	86.0°	
Angle of View (V)	46.0°	
Angle of View (O)	104.0°	
Illuminator		
IR Range	Up to 10m (33ft)	
Wavelength	850nm	
IR On/Off Control	Auto/Manual	
Video		
Video Compression	H.265, H.264	
H.264 code profile	Baseline profile, Main profile, High profile	
Frame Rate	Main Stream: 2MP (1920*1080), Max 25fps; 720P (1280*720), Max 25fps; Sub Stream: 640*360, Max 25fps; 2CIF(704*288), Max 25fps; CIF(352*288), Max 25fps;	
Video Bit Rate	128 Kbps~6144 Kbps	
Video stream	Dual streams	
Events		
Basic Detection	Human body detection, Motion detection, Audio Detection	
Auto tracking	Support	
Storage		
Edge Storage	Micro SD, up to 256GB	
Audio		
Audio Compression	G.711U, G.711A	
Audio Bitrate	64 Kbps	
Two-way Audio	Support	
Suppression	Support	
Sampling Rate	8KHZ	
Network		
Wi-Fi	2.4G Wi-Fi (IEEE802.11b/g/n), built-in antenna	
Compatible Integration	ONVIF (Profile S, Profile G, Profile T), API	
Client	EZStation	

	UNV-Link
Interface	
Audio I/O	N/A
Alarm I/O	N/A
Built-in Mic	Support
Built-in Speaker	Support
WIFI	Support
Network	N/A
Video Output	N/A
Certifications	
Safety	CE LVD (EN 62368-1) CB (IEC 62368-1)
EMC	CE-EMC (EN 55032,EN 61000-3-3,EN IEC 61000-3-2,EN 55035) FCC (FCC 47 CFR part15 B)
Environment	CE-RoHS (2011/65/EU;(EU)2015/863); WEEE (2012/19/EU)
RF	FCC ID (FCC CFR 47 part15 C) CE RED (EN 301 489-1, EN 301 489-17, EN 300 328, EN 62311)
General	
Power	DC 5V/1A
	Micro USB interface
Dimensions (Ø x H)	Ø80 x 120mm (Ø3.1" x 4.8")
Weight	0.18kg(0.40lb)
Working Environment	-10°C~55°C(-14°F ~ 131°F), Humidity: ≤95% RH (non-condensing)
Storage Environment	-10°C~55°C(-14°F ~ 131°F), Humidity: ≤95% RH (non-condensing)
Surge Protection	4KV
Reset Button	Support
LED indicator	1, red/blue

Dimensions



www.uniview.com

©2023 Zhejiang Uniview Technologies Co., Ltd. All rights reserved.

*Product specifications and availability are subject to change without notice.